

NAARM MEETING TABLE



Proudly in affiliation with



NAARM MEETING TABLE



In the Woiwurrung (woi-a-rung) language of the Kulin Nation, Naarm means 'place.'

Our Naarm Meeting Table draws inspiration from the traditional scrublands that once spanned the region we know as Greater Melbourne CBD. The area holds deep significance as it was once a central meeting place for the language groups of the Kulin Nation. This nation is made up of five Aboriginal clans: Wurundjeri (woo-run-juh-ri), Boonwurrung (boon-wuh-rung), Wathaurrung (wo-thuh-rong), Taungurung (tan-a-rong), and Dja Dja Wrung (jah-jah-rong).

KEY FEATURES

- Timber veneer top in clear lacquer finish
- Solid timber bullnose edge
- Radius corners
- Timber dowel clad base
- Made in Australia

LEAD TIME & WARRANTY

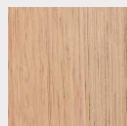
- 6-8 week lead time
- 5 year warranty

FINISHES

- Top: Vic Ash / Tasmanian Oak, natural
- Base: Vic Ash / Tasmanian Oak, natural

OPTIONS

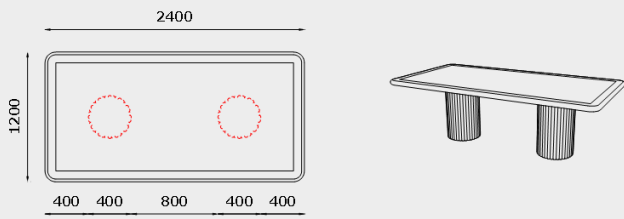
- Custom size
- Custom stain
- Melamine tabletop in Winya Standard Melamine Range
- Integrated power & data boxes, venerable and non-venerable lid



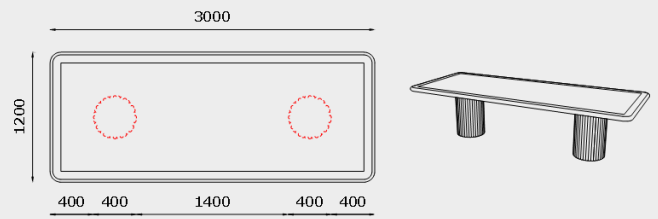
Vic Ash / Tas
Oak Timber



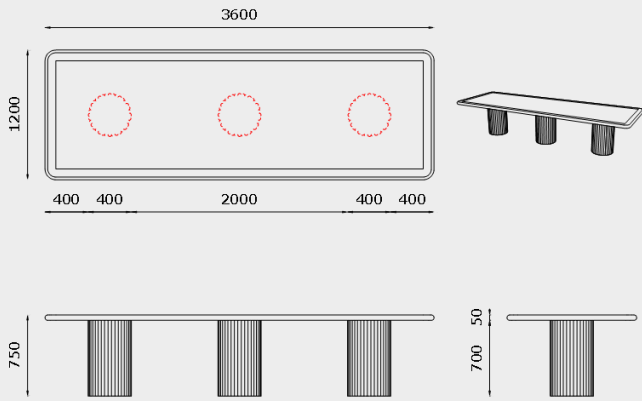
STANDARD SIZES - NO POWER



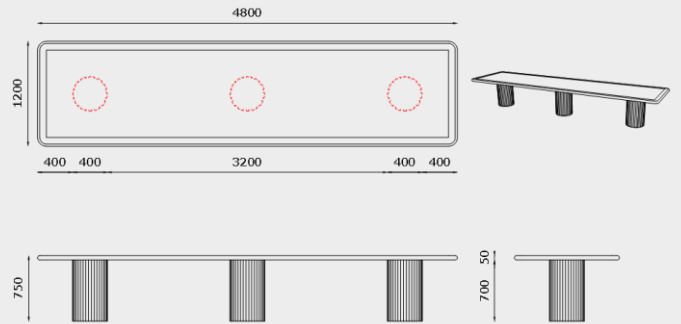
NAARM TABLE, 2400 X 1200



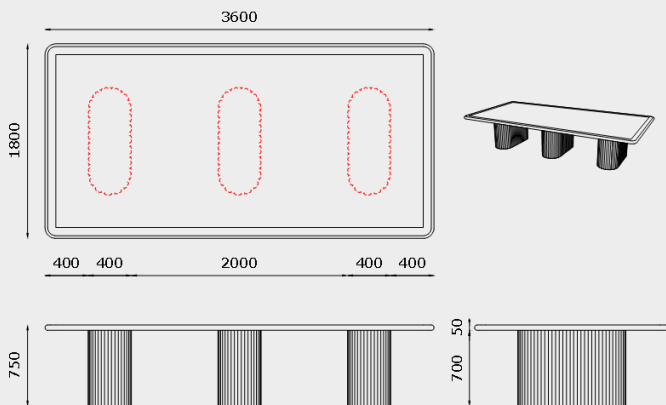
NAARM TABLE, 3000 X 1200



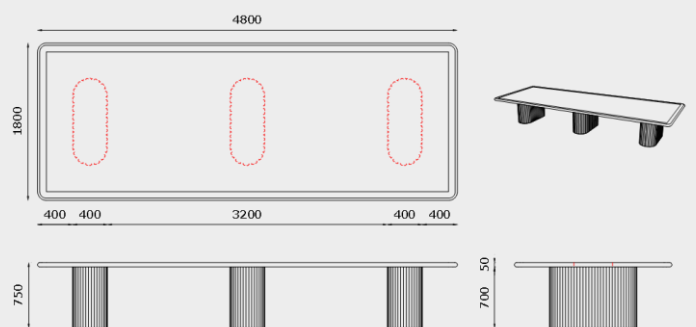
NAARM TABLE, 3600 X 1200



NAARM TABLE, 4800 X 1200

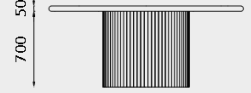
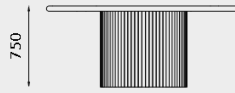
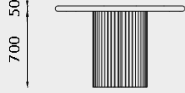
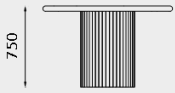
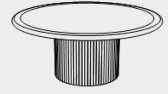
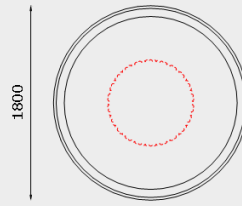
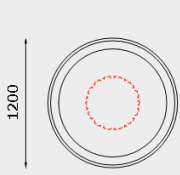


NAARM TABLE, 3600 X 1800



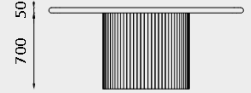
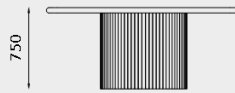
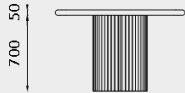
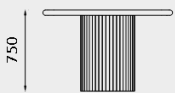
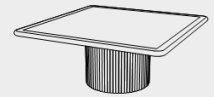
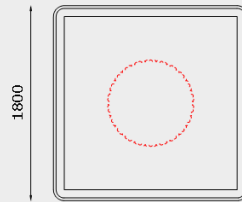
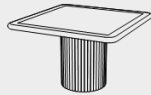
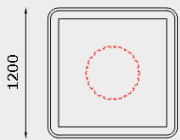
NAARM TABLE, 4800 X 1800

STANDARD SIZES - NO POWER



NAARM TABLE, 1200DIA

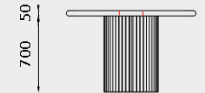
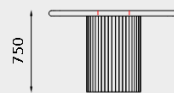
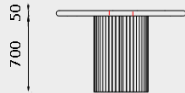
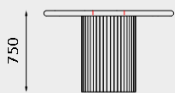
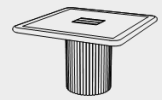
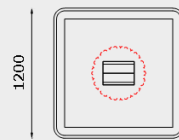
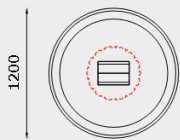
NAARM TABLE, 1800DIA



NAARM TABLE, 1200 X 1200

NAARM TABLE, 1800 X 1800

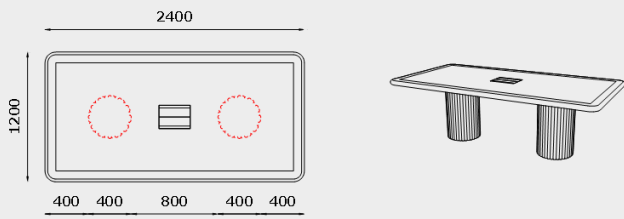
STANDARD SIZES - WITH POWER



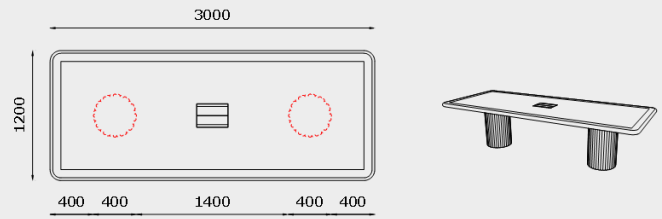
NAARM TABLE, 1200DIA

NAARM TABLE, 1200 X 1200

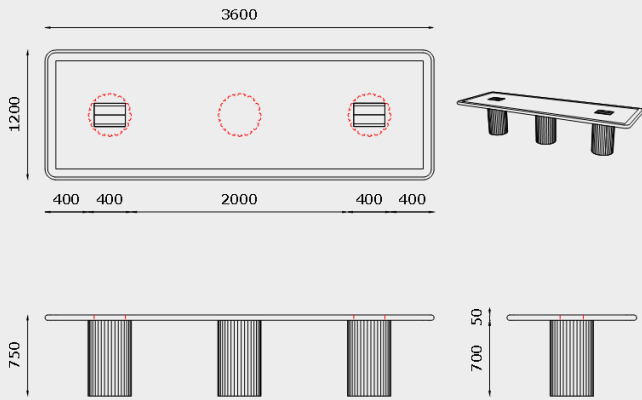
STANDARD SIZES - WITH POWER



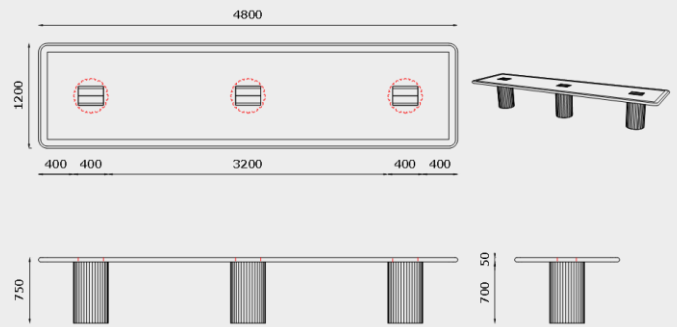
NAARM TABLE, 2400 X 1200



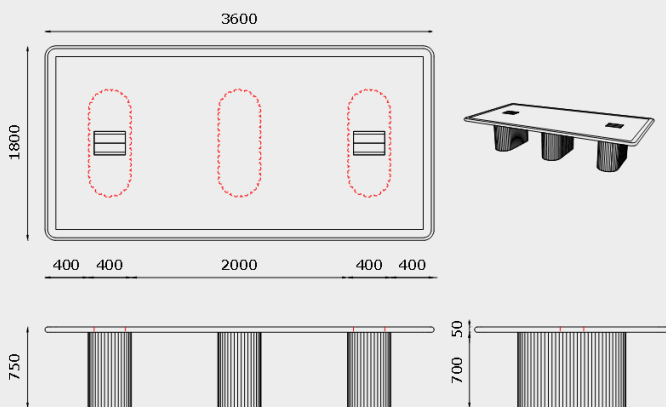
NAARM TABLE, 3000 X 1200



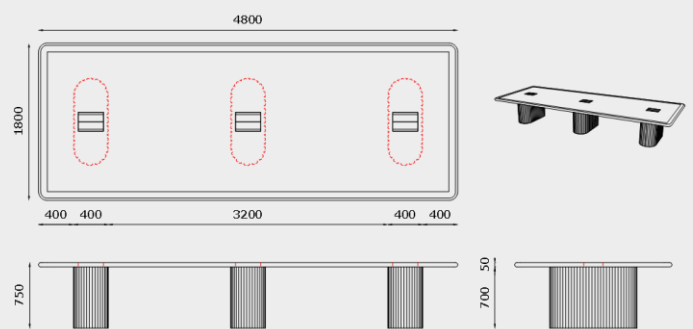
NAARM TABLE, 3600 X 1200



NAARM TABLE, 4800 X 1200



NAARM TABLE, 3600 X 1800



NAARM TABLE, 4800 X 1800





“WINYA” MEANS SIT NOW IN WIRADJURI

Winya Indigenous Furniture is a majority Indigenous owned business and the only company in Australia awarded by the UNITED NATIONS for Leadership in Sustainable Development Goals (SDG).

Winya is a genuine Indigenous business, founded in 2015 before any Government Procurement Policies by Kamilaroi woman, Debbie Barwick, the inaugural chair of the First Australian’s Chamber of Commerce & Industry and Greg Welsh, whose father was a hidden generation Kamilaroi man.

Together, Debbie used her expertise in labour hire and Greg leveraged his background in the Australian furniture industry to build Winya’s profit-for-purpose model that creates traineeships & apprenticeships for Indigenous people with partners across the Australian furniture industry.

For our unique approach to Indigenous empowerment, in 2018 Winya became the only company in Australia to be Awarded by the United Nations for leadership in sustainable development.

Winya maximises its procurement outreach programs with timbers from remote communities, fabrics from women’s art centres and has created programs in Prisons to train Indigenous inmates to reduce recidivism & build better communities.





Winya Indigenous Furniture
www.winya.com.au
info@winya.com.au
1300 184 799