

# CLOUD2 LOUNGE CHAIR



Proudly in affiliation with





## CLOUD LOUNGE CHAIR



The Cloud Lounge has a timeless and enduring shape with a simple frame. It offers a beautiful design statement suitable for any environment while delivering comfort, style, and practicality in excess. The iconic and bold puffed form, combined with sophisticated ruched upholstery detailing, creates a unique organic seating experience that effortlessly promotes calm.

### **KEY FEATURES**

- Australian-made steel wraparound frame in powdercoat finish
- High density commercial foam
- Upholstered in House Fabric
- Fixed arm cushions
- Made in Australia

### **LEAD TIME & WARRANTY**

- 6-8 week lead time
- 5 year warranty

### **FINISHES**

- Upholstered in Winya House Fabric (standard)
- Frame in Black or White powdercoat (standard)
- Option for COM upholstery
- Option for custom powdercoat colour

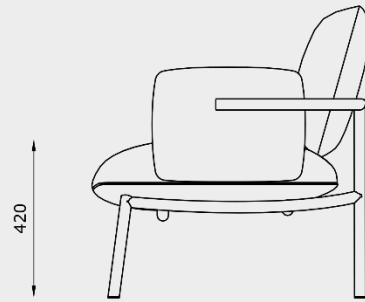
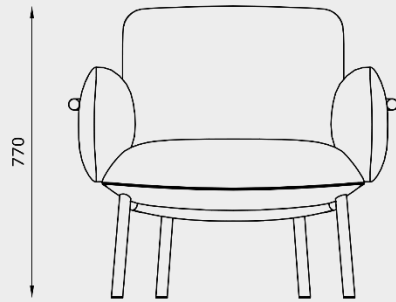
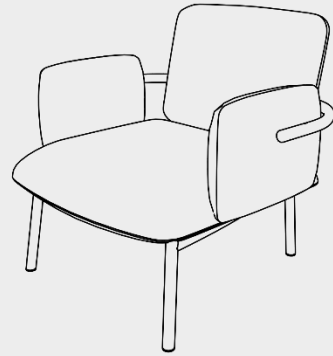
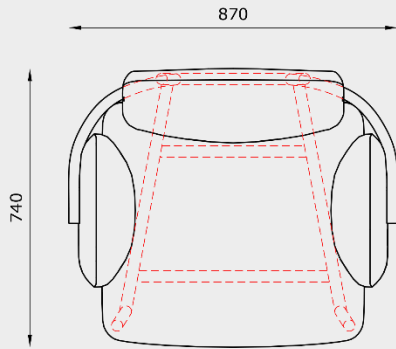


**GECA**  
CERTIFIED

(foam)



**PRODUCT SPECS**



	<b>Height</b> (mm)	<b>Width</b> (mm)	<b>Depth</b> (mm)	<b>Seat Height</b> (mm)
One Seater	770	870	740	420







Custom Modular Lounge

***“WINYA” MEANS SIT NOW IN WIRADJURI***

Winya Indigenous Furniture is a majority Indigenous owned business and the only company in Australia awarded by the UNITED NATIONS for Leadership in Sustainable Development Goals (SDG).

Winya is a genuine Indigenous business, founded in 2015 before any Government Procurement Policies by Kamilaroi woman, Debbie Barwick, the inaugural chair of the First Australian’s Chamber of Commerce & Industry and Greg Welsh, whose father was a hidden generation Kamilaroi man.

Together, Debbie used her expertise in labour hire and Greg leveraged his background in the Australian furniture industry to build Winya’s profit-for-purpose model that creates traineeships & apprenticeships for Indigenous people with partners across the Australian furniture industry.

For our unique approach to Indigenous empowerment, in 2018 Winya became the only company in Australia to be Awarded by the United Nations for leadership in sustainable development.

Winya maximises its procurement outreach programs with timbers from remote communities, fabrics from women’s art centres and has created programs in Prisons to train Indigenous inmates to reduce recidivism & build better communities.





Winya Indigenous Furniture  
[www.winya.com.au](http://www.winya.com.au)  
[info@winya.com.au](mailto:info@winya.com.au)  
1300 184 799