



WILKHAHN GRAPH CONFERENCE CHAIR



Proudly in affiliation with



GRAPH CONFERENCE CHAIR

Graph is the ideal choice where superior comfort and uncompromising quality are required. The name of the range, designed by Markus Jehs and Jürgen Laub, refers to its graphical aesthetic. And it's this feature the chair owes its name to: the seat shell is cut through horizontally and vertically and then reassembled. The upshot is an intriguing mix of a fluid form and clear lines, closed and open areas, harmony and contrast. The same goes for the matching tables and their suggestion of lightweight elegance. Whether they're destined for large conferences, small meetings or executive offices, Graph tables and chairs are an appealing combination due to their impressive finishes, exclusive materials and flawless craftsmanship. As a result, Graph is already one of tomorrow's classic items of furniture.

KEY FEATURES

- Lightweight and classy look
- Slender armrests
- Aluminium frame
- Choice of medium back and high back
- Choice of frame with glides or castors
- Active rocking technology with precise height adjustment capabilities
- Seat can tilt backwards and sideways to mirror the user's movements

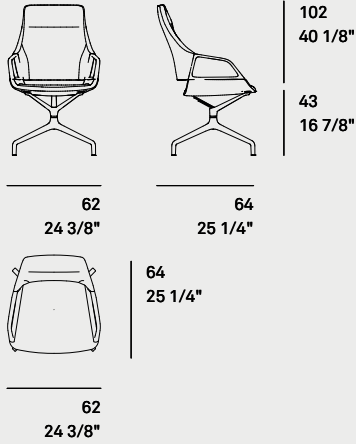
FINISHES

- Upholstered to selection: fabric / leather
- Frame: aluminum (chrome-plated / black coating / signal-white coating)

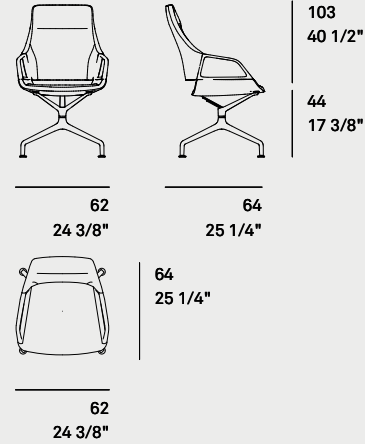
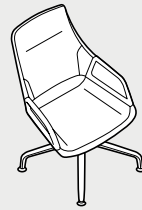


Graph. 30 range. Models and dimensions.

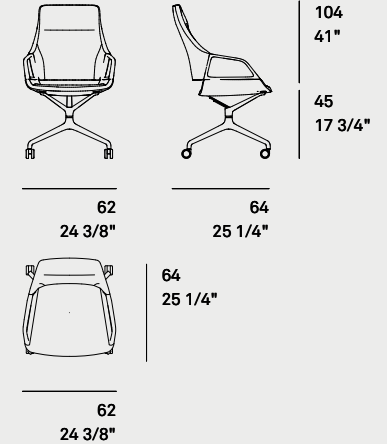
301/5
Medium-height backrest
Swivel-mounted
Four-star base



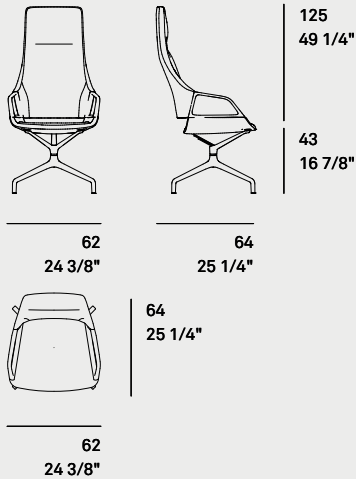
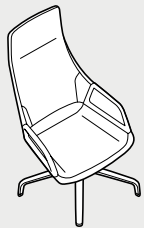
301/5
Medium-height backrest
Swivel-mounted
Four-star base
with base glides



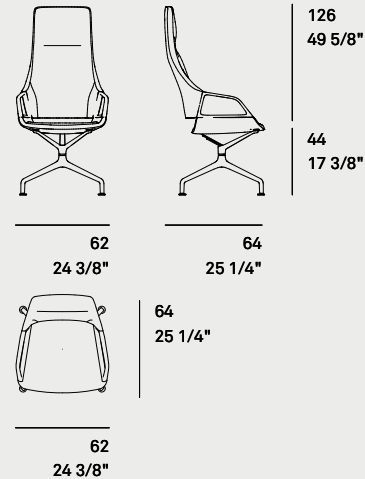
301/5
Medium-height backrest
Swivel-mounted
Four-star base
with casters



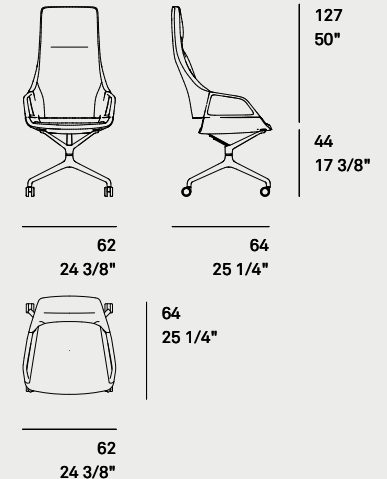
302/5
High backrest
Swivel-mounted
Four-star base



302/5
High backrest
Swivel-mounted
Four-star base
with base glides

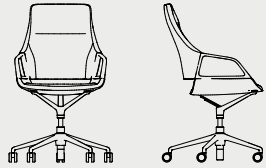


302/5
High backrest
Swivel-mounted
Four-star base
with casters

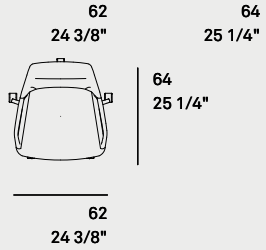


Graph. 30 range. Models and dimensions.

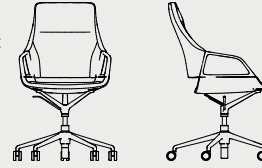
301/6
Medium-height backrest
Swivel-mounted
Five-star base



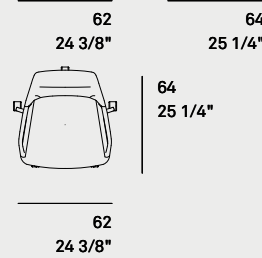
104
41"
45
17 3/4"



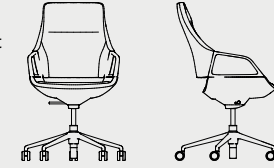
301/7
Medium-height backrest
Precision-adjustable height
Five-star base



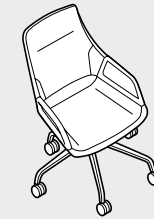
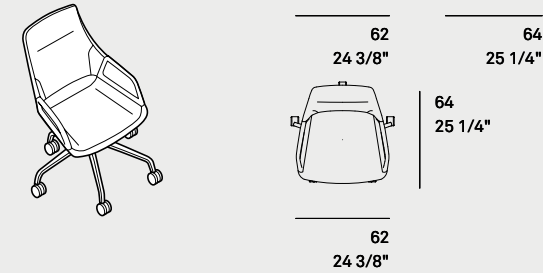
100/110
39 3/8" / 43 1/4"
41/51
16 1/8" / 20 1/8"



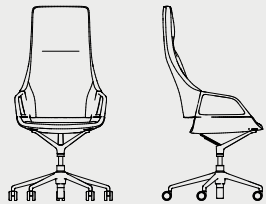
301/8
Medium-height backrest
Precision-adjustable height
With rocking technology
Five-star base



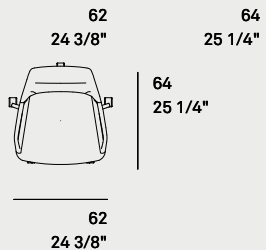
100/110
39 3/8" / 43 1/4"
41/51
16 1/8" / 20 1/8"



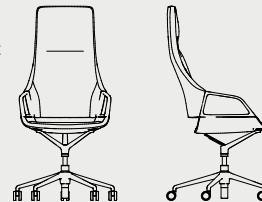
302/6
High backrest
Swivel-mounted
Five-star base



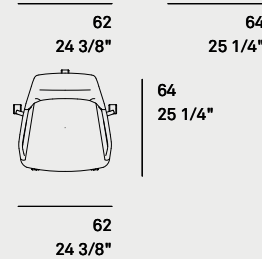
127
50"
45
17 3/4"



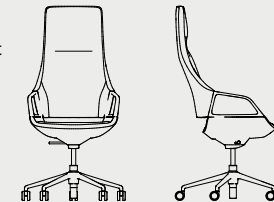
302/7
High backrest
Precision-adjustable height
Five-star base



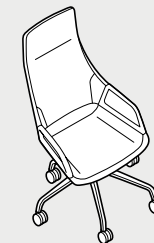
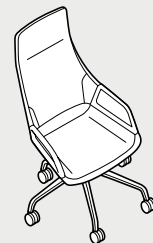
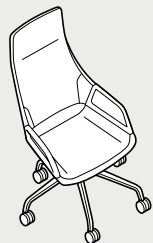
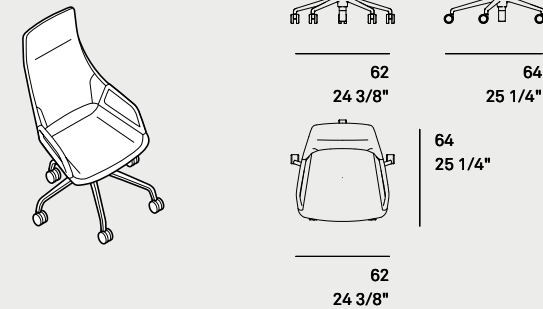
123/133
48 3/8" / 52 3/8"
41/51
16 1/8" / 20 1/8"



302/8
High backrest
Precision-adjustable height
With rocking technology
Five-star base

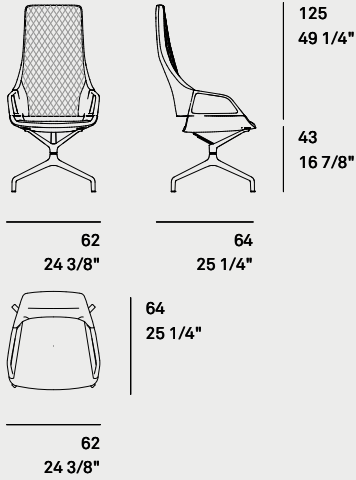


123/133
48 3/8" / 52 3/8"
41/51
16 1/8" / 20 1/8"

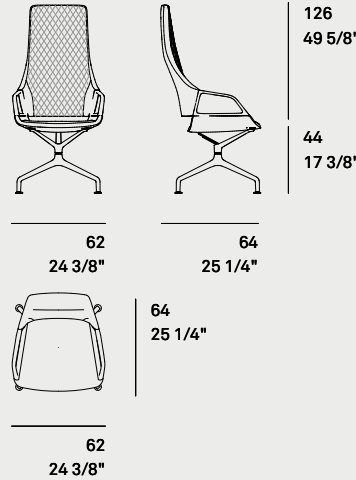


Graph. 30 range. Models and dimensions.

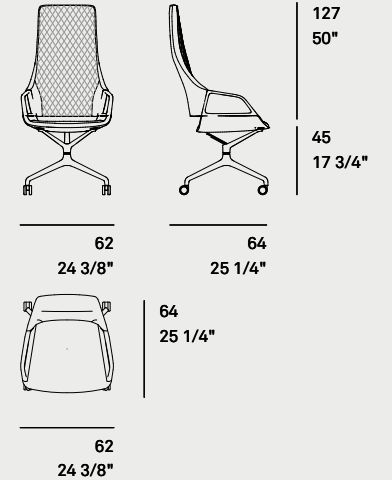
304/5
High backrest
Swivel-mounted
Four-star base



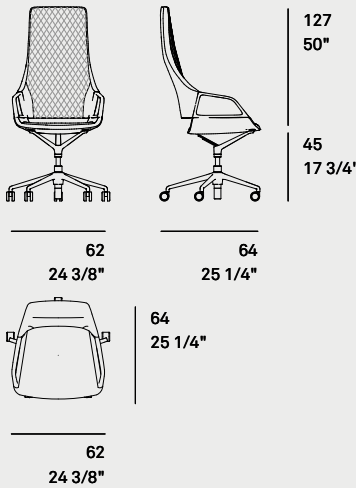
304/5
High backrest
Swivel-mounted
Four-star base
with base glides



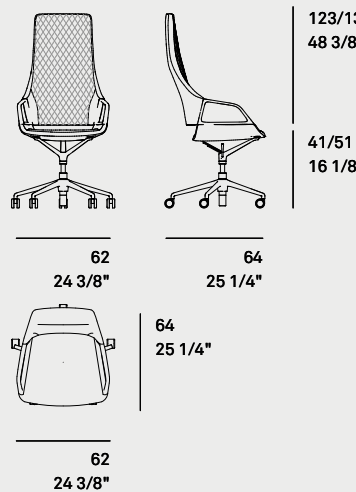
304/5
High backrest
Swivel-mounted
Four-star base
with casters



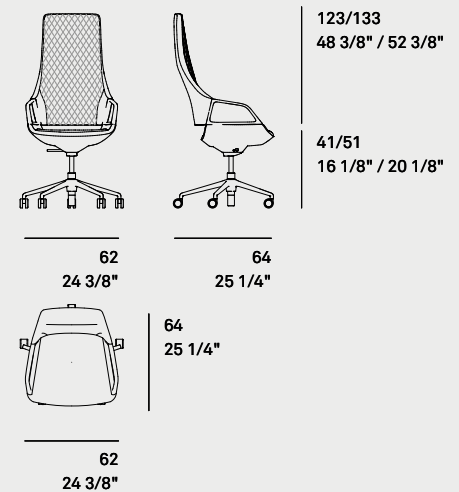
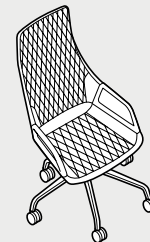
304/6
High backrest
Swivel-mounted
Five-star base



304/7
High backrest
Precision-adjustable height
Five-star base



304/8
High backrest
Precision-adjustable height
With rocking technology
Five-star base



ABOUT US

Winya Indigenous Furniture is a majority Indigenous owned business and the only company in Australia awarded by the UNITED NATIONS for Leadership in Sustainable Development Goals (SDG). Winya is a genuine Indigenous business, founded in 2015 before any Government Procurement Policies by Debbie Barwick, the inaugural chair of the First Australian's Chamber of Commerce & Industry and Greg Welsh.

Together, Debbie used her expertise in labour hire and Greg leveraged his background in the Australian furniture industry to build Winya's profit-for-purpose model that creates traineeships & apprenticeships for Indigenous people with partners across the Australian furniture industry.

For our unique approach to Indigenous empowerment, in 2018 Winya became the only company in Australia to be Awarded by the United Nations for leadership in sustainable development.

Winya is certified by the First Australian's Chamber of Commerce, NSW Indigenous Chamber of Commerce, Kinaway, Noongar Chamber of Commerce, NT Indigenous Business Network and Supply Nation.

Winya maximises its procurement outreach programs with timbers from remote communities, fabrics from women's art centres and has created programs in Prisons to train Indigenous inmates to reduce recidivism & build better communities.

OUR ACCREDITATION & MEMBERSHIP



OUR AWARDS



CONTACT US

GET IN TOUCH WITH OUR
NATION-WIDE SUPPORT TEAM

NGUNNAWAL (CANBERRA)

74 Yass Road
Queanbeyan NSW 2620
Phone: 0455 036 159
Email: act@winya.com.au

LARRAKIA (DARWIN)

58 Raphael Road
Winnellie NT 0821
Phone: 0436 020 524
email: nt@winya.com.au

KAURNA (ADELAIDE)

New Showroom Coming Soon
(TBC)
Phone: 1300 184 799
email: sa@winya.com.au

WHADJUK NYOONGAR (PERTH)

41 St Georges Terrace
Perth WA 6000
Phone: 0416 103 710
email: wa@winya.com.au

TURRBAL & YUGGERA (BRISBANE)

113 Margaret Street
Brisbane QLD 4000
Phone: 0408 375 488
email: qld@winya.com.au

NAARM (MELBOURNE)

15 Queen St (Lower Ground)
Melbourne VIC 3000
Phone: 0418 472 457
email: vic@winya.com.au

GADIGAL (SYDNEY)

Level 7, 107 Pitt Street
Sydney NSW 2000
Phone: (02) 9698 6725
email: info@winya.com.au

NIPALUNA (HOBART)

10 Lampton Avenue
Derwent Park 7009
Phone: 1300 184 799
email: tas@winya.com.au



www.winya.com.au