



# HUMANSCALE SMART OCEAN



Proudly in affiliation with



# SMART OCEAN TASK CHAIR

---

Powered by the same form-sensing mesh as the original Smart chair, Smart Ocean is a sequel that's made for the future as much as the present. It goes beyond sustainability - incorporating nearly 2 lbs. of reclaimed fishing nets, making this an ergonomic task chair that feels good, looks good and does good (for all).

## KEY FEATURES

- Innovative weight-sensitive, self-locking recline mechanism
- Flexible, premium lumbar support
- Tri-Panel, non-stretch, Form-Sensing Mesh Technology provides perfectly tailored comfort
- Contoured seat cushions
- Unique arm design attaches to the back frame to provide support during full range of recline
- Modular design ensures easy maintenance and allows the user to update the chair's aesthetic
- 15-year, 24/7 warranty

## FINISHES

- Upholstery to selection
- Frame: black



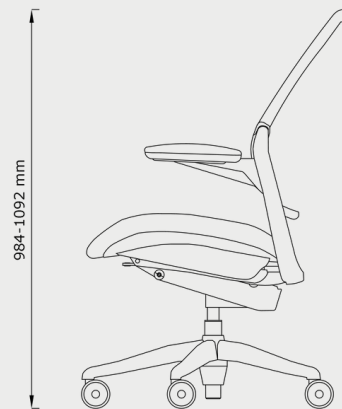
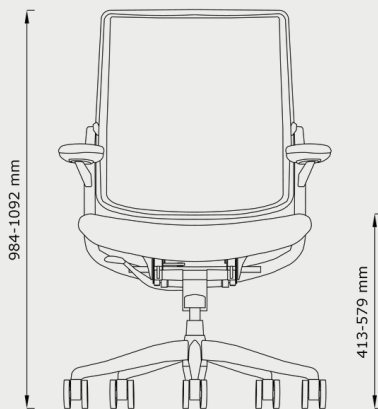
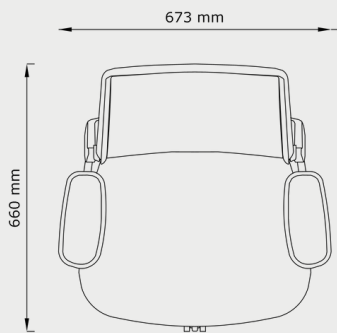
# SMART OCEAN TASK CHAIR

---

## PRODUCT SPECS

| Description | Overall Height (mm) | Overall Width (mm) | Overall Depth (mm) | Seat Height (mm) |
|-------------|---------------------|--------------------|--------------------|------------------|
| Smart Ocean | 984-1092            | 660                | 673                | 413-579          |

---



## ABOUT US

Winya Indigenous Furniture is a majority Indigenous owned business and the only company in Australia awarded by the UNITED NATIONS for Leadership in Sustainable Development Goals (SDG). Winya is a genuine Indigenous business, founded in 2015 before any Government Procurement Policies by Debbie Barwick, the inaugural chair of the First Australian's Chamber of Commerce & Industry and Greg Welsh.

Together, Debbie used her expertise in labour hire and Greg leveraged his background in the Australian furniture industry to build Winya's profit-for-purpose model that creates traineeships & apprenticeships for Indigenous people with partners across the Australian furniture industry.

For our unique approach to Indigenous empowerment, in 2018 Winya became the only company in Australia to be Awarded by the United Nations for leadership in sustainable development.

Winya is certified by the First Australian's Chamber of Commerce, NSW Indigenous Chamber of Commerce, Kinaway, Noongar Chamber of Commerce, NT Indigenous Business Network and Supply Nation.

Winya maximises its procurement outreach programs with timbers from remote communities, fabrics from women's art centres and has created programs in Prisons to train Indigenous inmates to reduce recidivism & build better communities.

### OUR ACCREDITATION & MEMBERSHIP



### OUR AWARDS



# CONTACT US

GET IN TOUCH WITH OUR  
NATION-WIDE SUPPORT TEAM

---

## NGUNNAWAL (CANBERRA)

74 Yass Road  
Queanbeyan NSW 2620  
Phone: 0455 036 159  
Email: [act@winya.com.au](mailto:act@winya.com.au)

## LARRAKIA (DARWIN)

58 Raphael Road  
Winnellie NT 0821  
Phone: 0436 020 524  
email: [nt@winya.com.au](mailto:nt@winya.com.au)

## KAURNA (ADELAIDE)

New Showroom Coming Soon  
(TBC)  
Phone: 1300 184 799  
email: [sa@winya.com.au](mailto:sa@winya.com.au)

## WHADJUK NYOONGAR (PERTH)

41 St Georges Terrace  
Perth WA 6000  
Phone: 0416 103 710  
email: [wa@winya.com.au](mailto:wa@winya.com.au)

## TURRBAL & YUGGERA (BRISBANE)

113 Margaret Street  
Brisbane QLD 4000  
Phone: 0408 375 488  
email: [qld@winya.com.au](mailto:qld@winya.com.au)

## NAARM (MELBOURNE)

15 Queen St (Lower Ground)  
Melbourne VIC 3000  
Phone: 0418 472 457  
email: [vic@winya.com.au](mailto:vic@winya.com.au)

## GADIGAL (SYDNEY)

Level 7, 107 Pitt Street  
Sydney NSW 2000  
Phone: (02) 9698 6725  
email: [info@winya.com.au](mailto:info@winya.com.au)

## NIPALUNA (HOBART)

10 Lampton Avenue  
Derwent Park 7009  
Phone: 1300 184 799  
email: [tas@winya.com.au](mailto:tas@winya.com.au)



[www.winya.com.au](http://www.winya.com.au)