

# BELLAR RANGE

The perfect fit for every environment



WinyA

**GREGORY**  
*the experts in ergonomics*





# BELLAR RANGE

Bellar Task



Bellar Executive



Bellar Timber



Bellar Castor



Bellar Four



Bellar Sled



Bellar Stool



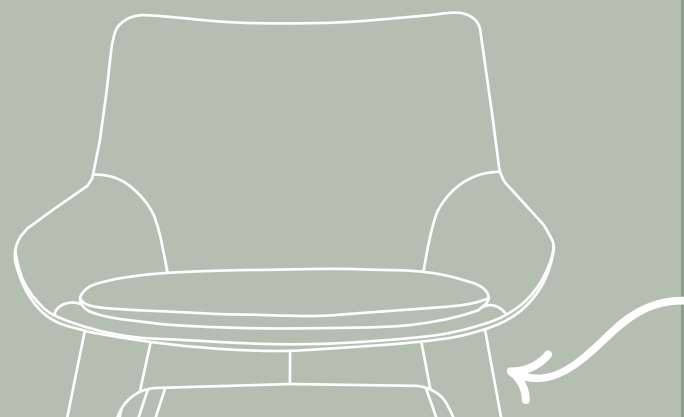
The modern workplace has evolved, with focuses on inspiring collaboration, flexible working and encouraging connectivity. The Bellar Range combines comfort, style and ergonomics. The perfect fit for every environment.

Bellar has been designed with flexibility in mind. The differentiated design allows it to fit into many environments and moments. From a self adjusting breathable mesh backed task chair to soft seating to suit every occasion.

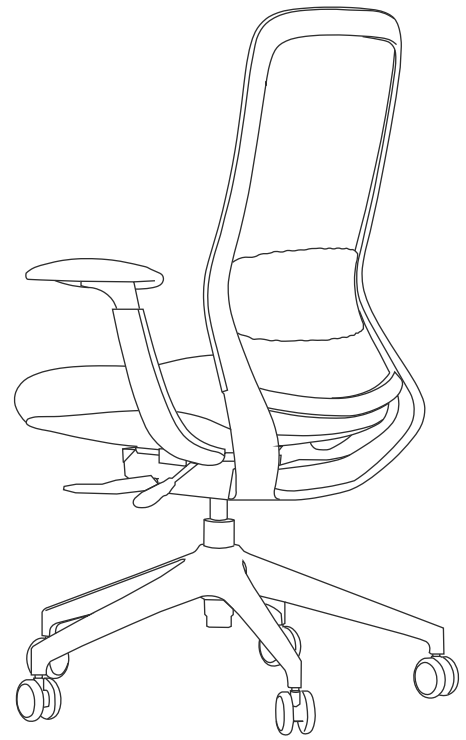
Gregory's Bellar Range's innovative design showcases an extensive range of frames that provide comfort and suit every environment. Options include integrated armrests and a variety of bases.

The unique design of the Bellar Task boasts a self adjusting compact synchro mechanism that is highly recommended by one of Australia's leading ergonomists and University lecturers.

Inspire collaboration with Bellar, the perfect fit for every environment.



The Bellar Range fuses modern seating technology with inspiration drawn from nature. The inspiration behind the range is drawn from the graceful posture of the swan. The unique curves continued throughout the Bellar Range creates a comfortable ergonomic experience for every user. The Bellar Range has been designed with the evolving office in mind, from flexible task and executive chair options through to breakout chairs and meeting chairs with a variety of style options.



# FEATURES

FEATURES	TASK	SOFT	OPTIONAL
Breathable Mesh Back	•		
Flexing Lumbar Support	•		
Automatic Weight Adjustment	•		
Integrated Seat Slide	•		
3D Arm Design	•		
High Arch Star Base	•		
BIFMA Tested (136kg)	•		
Integrated Arms		•	•
Flat seat		•	•
Timber Base		•	
Sled Base		•	
Star Castor Base		•	
Four legged Base		•	

Premium Craftsmanship



Multiple Base Options

# BELLAR TASK\*

Tested to 136kg  
weight capacity

OPTIONAL HEADREST  
Bellar Executive with adjustable  
headrest

4D PU ARMEST  
Sleek and comfortable  
4D polyurethane  
adjustable armrest

WEIGHT ADJUSTING  
MECHANISM  
Self adjusting floating mechanism  
with 4 locking positions ideal for  
multi-person usage, your body  
controls the settings

ALLOY BASE  
Shown with optional  
alloy base





COLOUR OPTIONS

Seat fabric options (reupholstery available)



Lumbar options

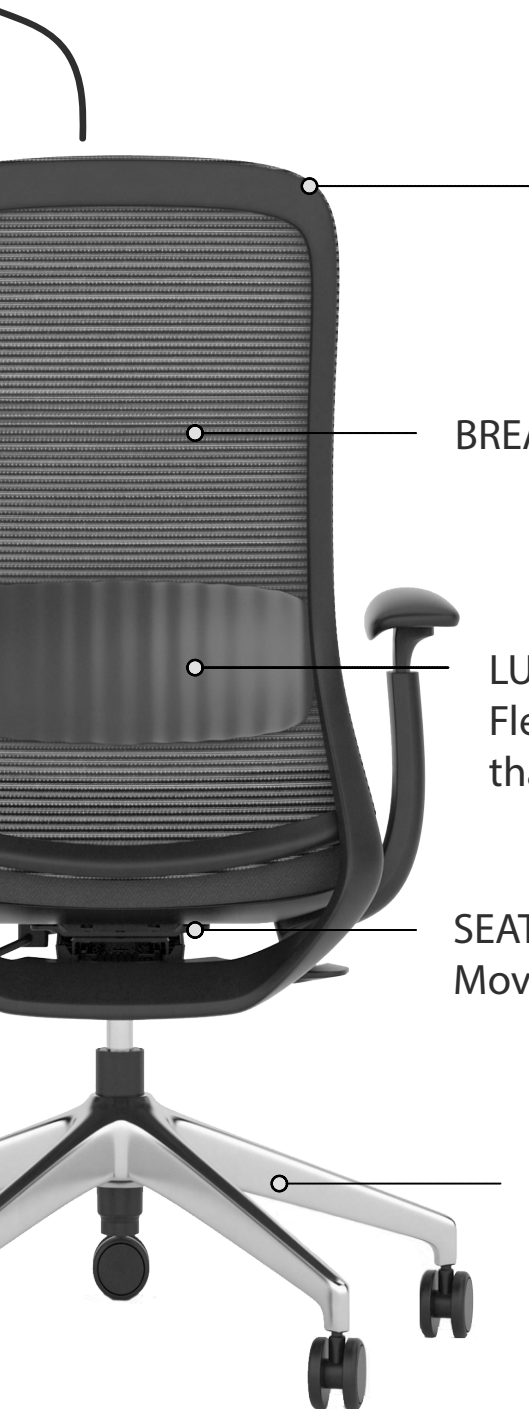


OUR GUARANTEE

10 years warranty  
BIFMA 136kg tested

Sustainability  
• Post-life recycling

Executive Option includes headrest



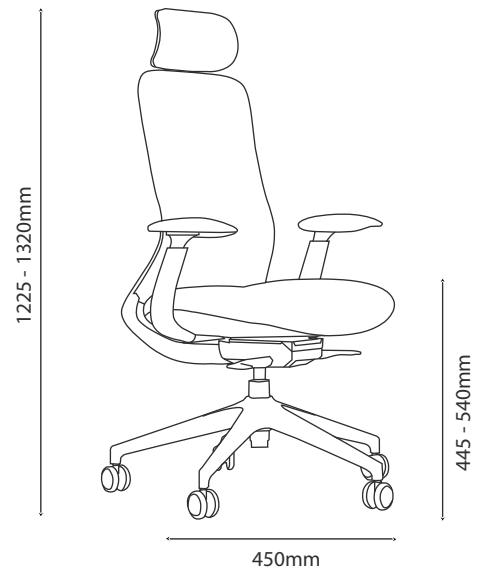
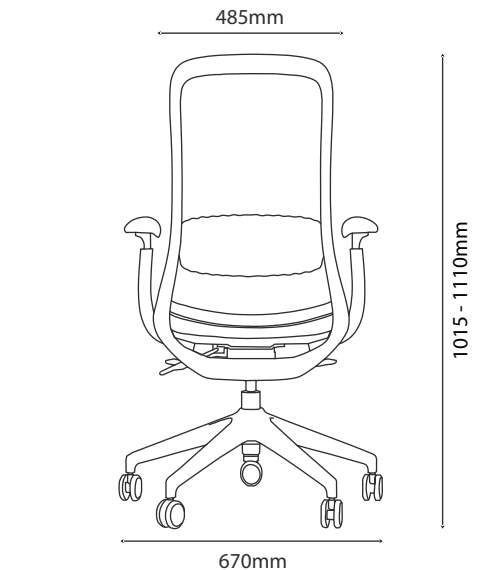
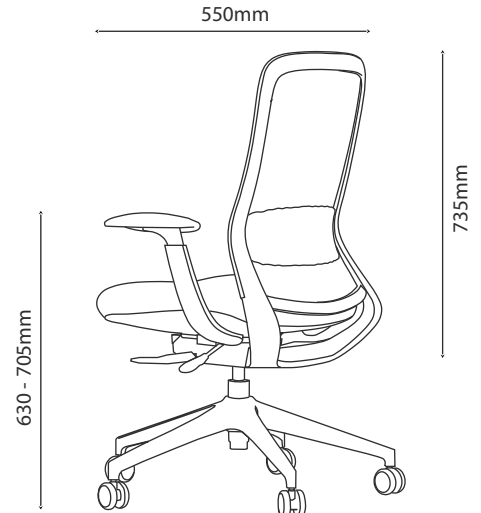
TWO TRIMS AVAILABLE  
Black and grey trim options

BREATHABLE MESH

LUMBAR SUPPORT  
Flexing lumbar support that allows breathability

SEAT DEPTH ADJUST  
Movement within 53mm

HIGH ARCH BASE  
Contemporary high arch star base



# BELLAR TIMBER

Tested to 120kg weight capacity



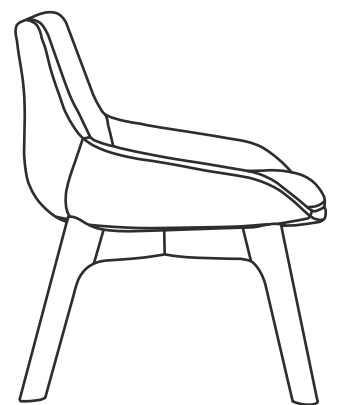
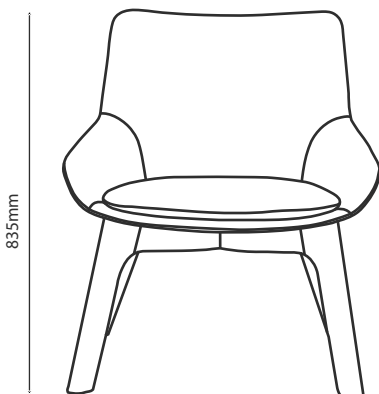
**CURVED BACK**  
Elegant curved back with craftsman level upholstery

**INTEGRATED ARMS**  
Sleek integrated arms for maximum comfort

**INTEGRATED SEAT CUSHION**

**TIMBER BASE**  
Four legged timber base

**AUSTRALIAN TIMBERS**  
Optional Australian timbers





# BELLAR CASTOR



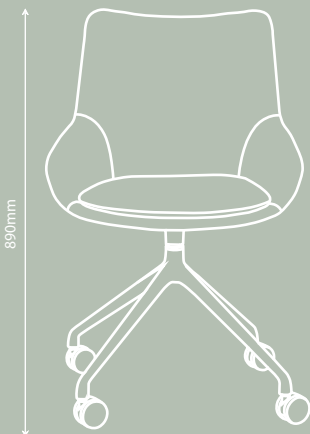
**CURVED BACK**  
Elegant curved back  
with craftsman level  
upholstery



**OPTIONAL ARMS**  
Option of integrated  
arms

**HIGH ARCH BASE**  
Contemporary high  
arch star base

Tested to 120kg  
weight capacity



# BELLAR FOUR

Tested to 120kg weight capacity

## CURVED BACK

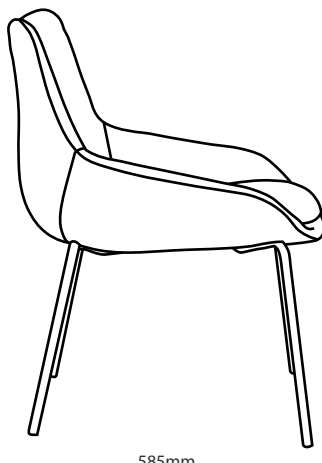
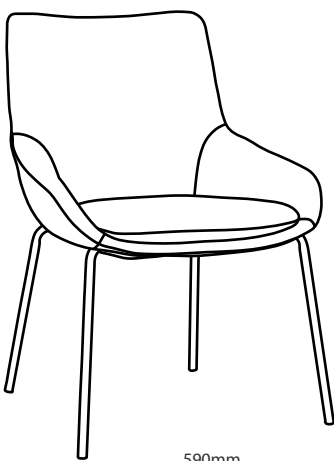
Elegant curved back with craftsman level upholstery

## OPTIONAL ARMS

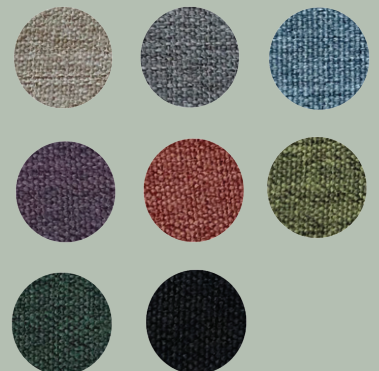
Option of integrated arms

## FOUR LEGGED

Four legged metal base



HOUSE COLOUR OPTIONS



\*Or available in your custom fabrics



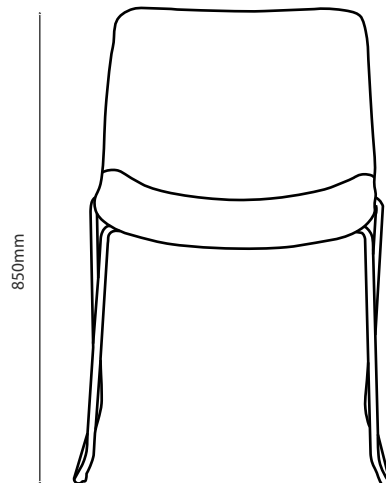
# BELLAR SLED

**CURVED BACK**  
Elegant curved back  
with craftsman level  
upholstery

**OPTIONAL ARMS**  
Option of integrated  
arms

**SLED BASE**  
Sled metal base

Tested to 120kg  
weight capacity



# BELLAR STOOL

LOW CURVED BACK  
For ultimate safety  
and comfort at high  
benches

ROD STRUCTURE  
SLED BASE  
For optimal stability

BASE COLOUR  
Black or matching  
polypropylene  
shell colours

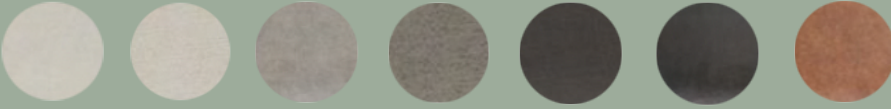
FOOTREST  
Integrated footrest  
design





COLOUR OPTIONS

Bellar Stool Fabric Options



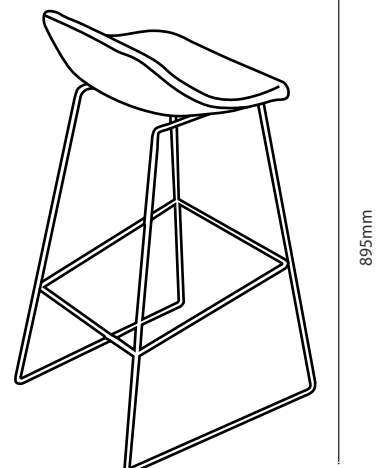
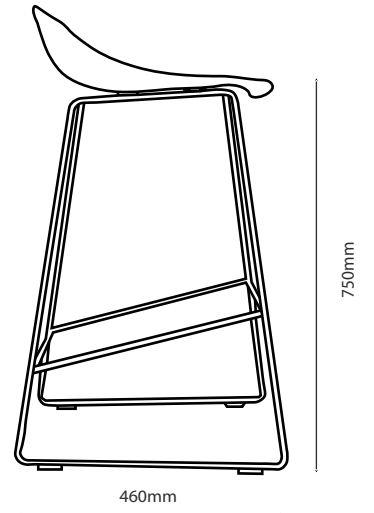
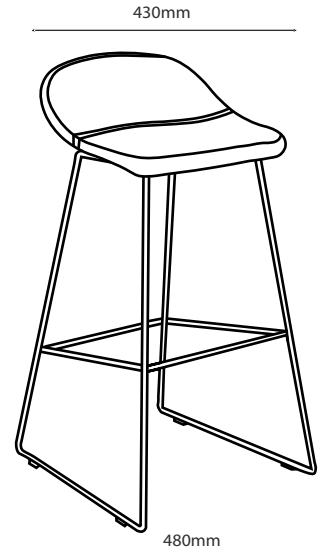
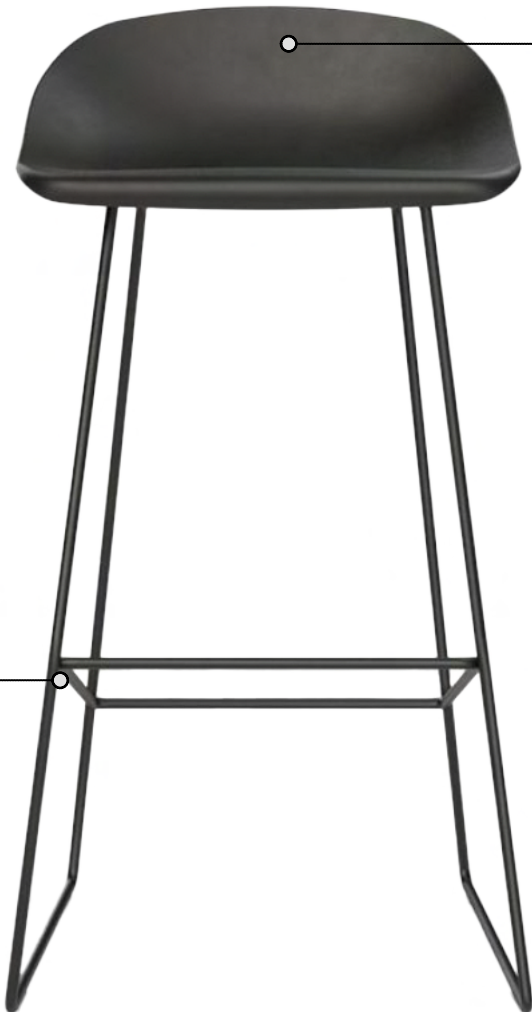
Bellar Stool Polypropylene Options



Tested to 120kg weight capacity

**CONTOURED SEAT**  
Contoured seat design from maximum comfort and ergonomic support

**SHELL OPTIONS**  
Fabric upholstery or polypropylene base options





111 Margaret Street,  
Brisbane, QLD 4000

15 Queen Street,  
Melbourne, VIC 3000

58 Raphael Road,  
Winnellie, NT 0821

30 Pirie St,  
Adelaide, SA 5000

41 St Georges Terrace,  
Perth, WA 6000

74 Yass Road,  
Queanbeyan, (ACT) 2620

Unit 4, 2 Southridge Street,  
Eastern Creek, NSW 2766

Level 10, 387 George Street,  
Sydney, NSW 2000

10 Lampton Avenue,  
Derwent Park, TAS 7009

1300 184 799  
[info@winya.com.au](mailto:info@winya.com.au)  
[www.winya.com.au](http://www.winya.com.au)